

DR



Your recycling needs. Our grinding solutions.

SEPARATION SYSTEMS OF FINE PARTS FROM REGRIND

Separation of regrind from its fine parts < 1 mm.

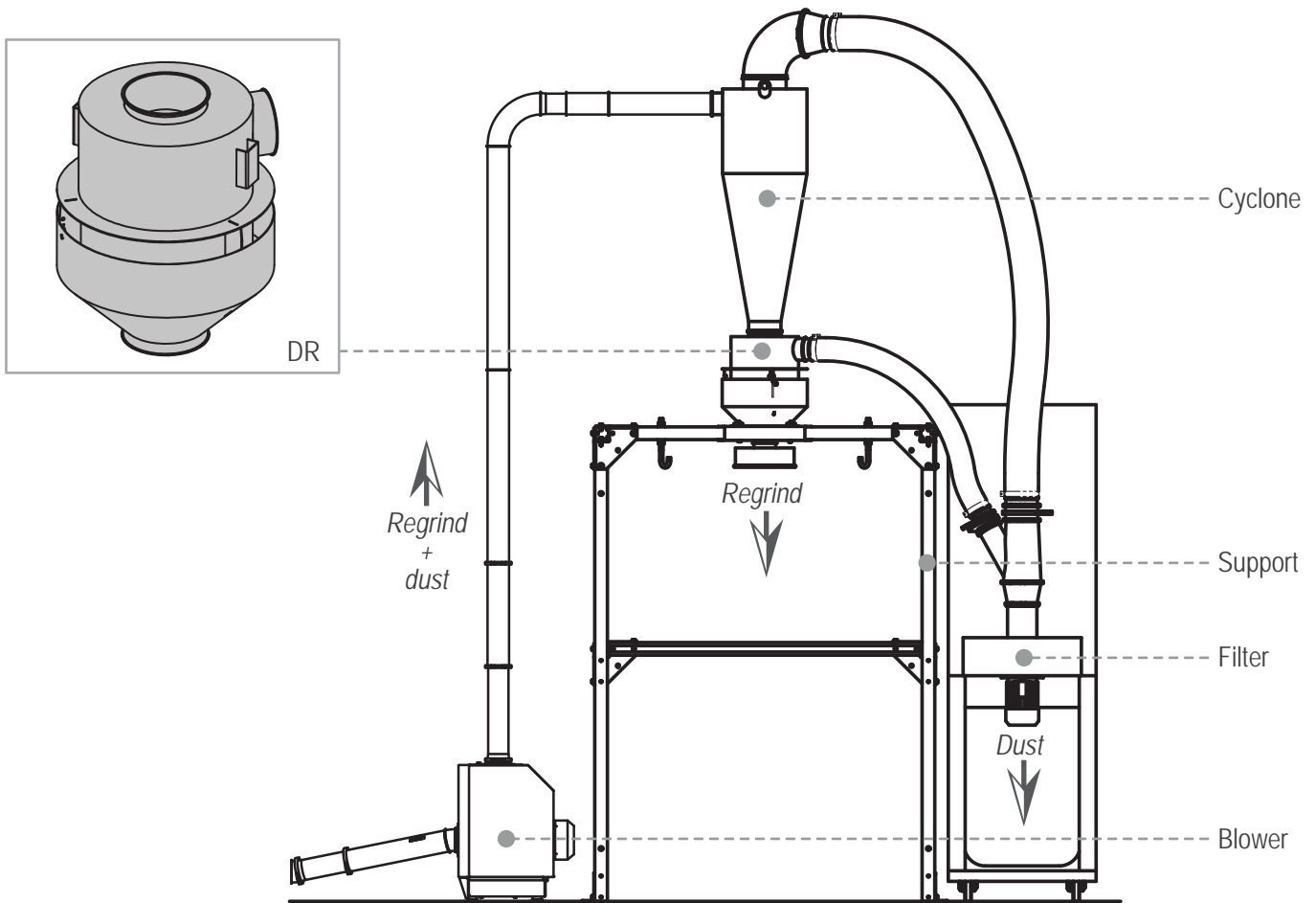
Granulometric tests with vibrating screens, sieves from 10 mm up to 500 μm : average amount of dust found in very low percentages.

(* % vary according to regrind material and the screen used)

Systems perfectly integrated with our granulators and customer production lines.



DR SEPARATION SYSTEMS OF FINE PARTS FROM REGRIND



Dust Removal model	Blower air capacity [m ³ /hr]	Blower TRIA compatible	Associated filter model	Filter surface [m ²]	Filter motor [kW]	Filter maximum capacity [m ³ /hr]	Dedusting capacity [kg/hr]
DR 24	500	HS 30	ALFA professional	1,6	0,75	1750	300
DR 32	800	HT 40	MINI EURO	3,0	1,50	2200	595
DR 42	1600	HT 50	EURO 1	5,0	2,20	3000	1167
DR 60	2800	HT 60	EURO 3	15,0	4,00	6500	2186



Your recycling needs. Our grinding solutions.

TRIA Italy
www.triaplastics.com

TRIA America
TRIA Brazil

TRIA China
TRIA Germany