

SILOS AND BIN



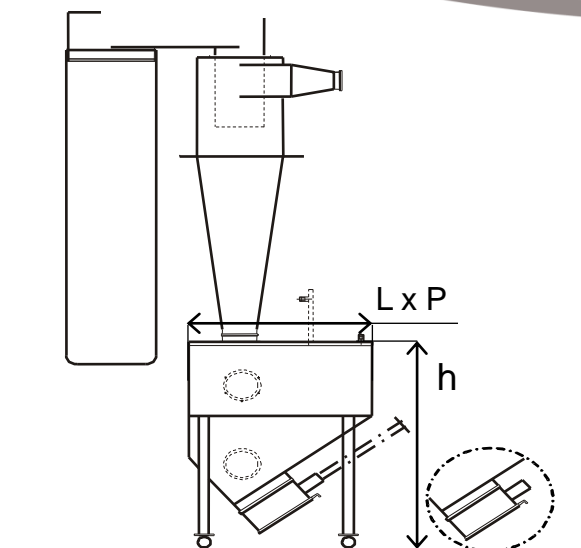
BINS TYPE TPA

- painted stainless bin
- hinged lid
- fixed part with flange for cyclone
- castors
- discharge flap

OPTIONAL

- funnel for two loaders
- funnel for auger screw
- bridge-break group
- max. level control

| CAPACITY lt | WIDTH mm | x | DEPTH mm | HEIGHT mm |
|----------------|-------------|---|-------------|--------------|
| 300 | 1000 | x | 700 | 1150 |
| 600 | 1300 | x | 950 | 1300 |



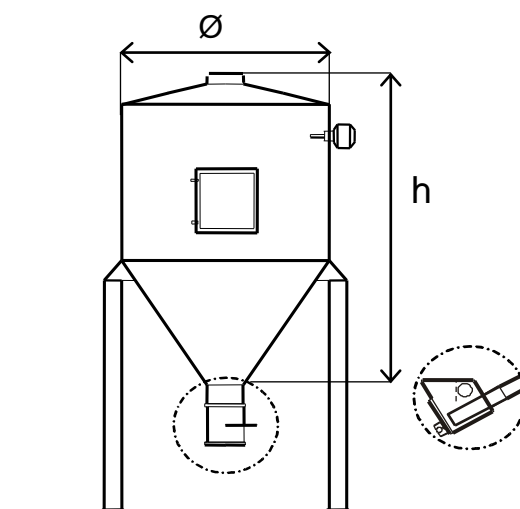
SILOS

- painted steel for regrind material, with flange for cyclone

OPTIONAL

- discharge flap
- funnel for loader
- max/min level control

| CAPACITY m ³ | DIAMETER mm | HEIGHT mm |
|----------------------------|----------------|--------------|
| 1 | 1065 | 2000 |
| 2,5 | 1500 | 2400 |
| 6 | 2000 | 3000 |
| 11 | 2200 | 4000 |



BIG BAG SUPPORTS

- for 1 or 2 big bags
- complete with upper support for cyclone and support hooks for big bags
- twin-way manual valve for 2 big bags

OPTIONAL

- max level controls
- electropneumatic valve for twin-way discharge into 2 big bags, with consent from the max. level controls

